

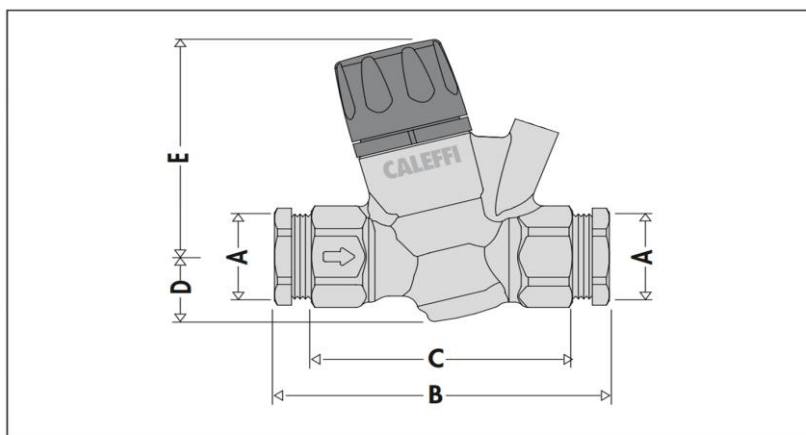
MTR116420

Caleffi 116 Series Thermostatic Regulating Valve
20mm



Technical Specification

- Medium: drinking water
- Max. working pressure: 16 bar
- Max. differential pressure: 1 bar
- Max. inlet temperature: 90°C
- Adjustment temperature range: 40–65°C
- Factory setting: 58°C
- Kv max (m3/h): 1,8
- Kv min (m3/h): 0,3±20 %
- Kv (Dt=5K) (m3/h): 0,6
- 3/4" F (DN 20) (EN 10226-1)
- Temperature gauge/probe pocket: Ø10mm



Code	DN	A	B	C	D	E	Mass (kg)
116420	20	Ø22	98	76,5	21,5	74,5	0,509

Application

The Caleffi 116 Series Thermostatic Regulating Valve 20mm is used in plumbing systems to control water temperature and is installed mostly in plant rooms.

Warranty

[Download the latest warranty statement](#)

Features

116 Series thermostatic regulator is used for automatic balancing of recirculation circuits in domestic hot water distribution systems, so as to ensure that all parts of the system reach the required temperature.

Body in dezincification resistant brass alloy.