

PR533555HS

Caleffi 533 Apartment Series 20mm limiting valve

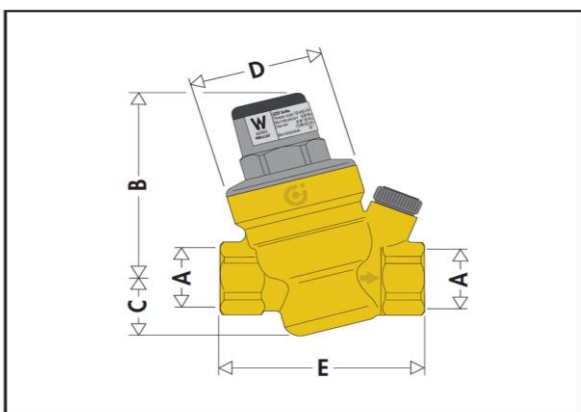


### Technical Specification

- 20mm Piston PRV and strainer
- Replaceable cartridge and strainer
- Dezincification resistant alloy body (EN12165 CW602N)
- Maximum upstream pressure: 2000 kPa
- Downstream pressure setting range: 100 – 600 kPa
- Factory setting: 500 kPa
- Maximum working temperature: 80°C

Connections:

- Main connections: 20mm
- Pressure gauge connection: 1/4" F



Code	DN	A	B	C	D	E	Mass (kg)
533555HS AUS	20	3/4"	74,5	22	Ø 46	84,5	0,51

### Application

The Caleffi 533 Apartment Series 20mm limiting valve is used in plumbing systems to control water pressure and is installed mostly in plant rooms.

### Warranty

[Download the latest warranty statement](#)

### Features

Pressure reducing valves are installed in residential water systems to reduce and stabilise inlet pressure from the water mains supply which is generally too high and variable for domestic appliances to function properly. These valves can also be used to control inlet pressure to domestic hot water storage and in hot water applications. The 5335..HS series has been specifically designed and manufactured to meet the requirements of "AS 1357.2:2005 Valves primarily for use in warm and hot water systems - P.2: Control valves".