

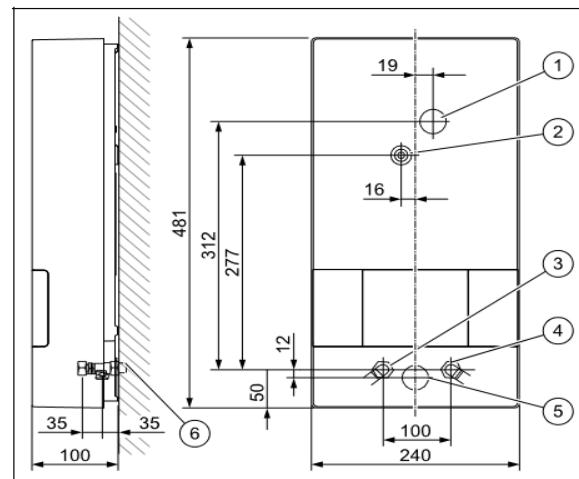
# VED18

Valliant 18kW VED Pure



## Technical Specification

- Energy efficiency for hot water (A+ to F): A
- Heating output: 18 kW
- Output control: electronic steered
- Minimum start flow rate: 3 l/min
- Maximum flow rate @25C Temp Rise: 10.3 l/min
- Power requirement: 400V/26a (3 Phase power required)
- Max amp draw: 3 x 43amp
- Electrical connection: Cable
- Protection class: IP25
- Water temperature (switchable): 40/55°
- Max. inlet temperature: 55°C
- Height x width x depth: 481/240/99mm
- Weight, unpacked: 4.4kg
- Connection cold/hot water: R 1/2
- Requires pressure limiting valve



- |  |                                |
|--|--------------------------------|
| 1 Top grommet                          | 4 G 1/2" cold water connection |
| 2 Central attachment                   | 5 Bottom grommet               |
| 3 G 1/2" domestic hot water connection | 6 G 1/2" outside thread        |

## Warranty

[Download the latest warranty statement](#)

## Features

The Pure VED, with its attractive design and proven prize-winning technology, delivers a compact and space-saving solution which can be set to either 40°C or 55°C delivery temperature. Sized to suit a single bathroom with shower, the Pure VED18 fulfils the hot water demands even supplying several outlets. The Pure VED18 is controlled electronically.

### Advantages of PURE VED:

- Quick, continuous hot water supply
- Time-proven European premium technology
- UV-resistant housing
- High-value, contemporary product design
- Low maintenance
- No waste pipes required
- Very affordable and low installation cost
- No standing heat loss from stored hotwater
- No hot water cupboard required