

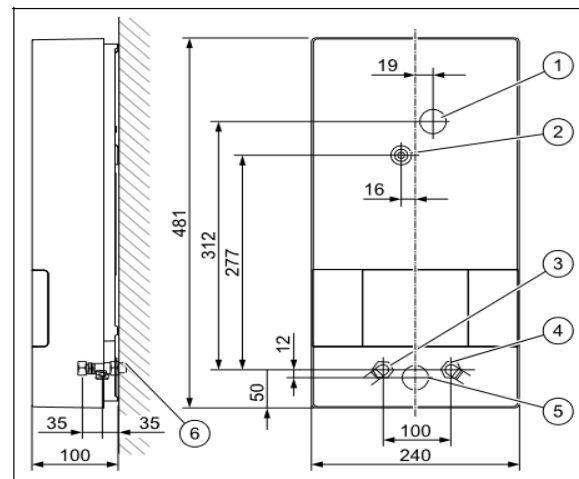
VED24

Valliant 24kW VED Pure



Technical Specification

- Energy efficiency for hot water (A+ to F): A
- Heating output: 24 kW
- Output control: electronic steered
- Minimum start flow rate: 3 l/min
- Maximum flow rate @25C Temp Rise: 12.1 l/min
- Power requirement: 400V/26a (3 phase power required)
- Max amp draw: 3 x 43amp
- Electrical connection: Cable
- Protection class: IP25
- Water temperature (switchable): 40/55°
- Max. inlet temperature: 25°C
- Height x width x depth: 481/240/99mm
- Weight, unpacked: 4.4kg
- Connection cold/hot water: R 1/2
- Requires pressure limiting valve



- | | | | |
|---|--------------------------------------|---|------------------------------|
| 1 | Top grommet | 4 | G 1/2" cold water connection |
| 2 | Central attachment | 5 | Bottom grommet |
| 3 | G 1/2" domestic hot water connection | 6 | G 1/2" outside thread |

Warranty

[Download the latest warranty statement](#)

Features

The Pure VED, with its attractive design and proven prize-winning technology, delivers a compact and space-saving solution which can be set to either 40°C or 55°C delivery temperature. Sized to suit a single bathroom with shower, the Pure VED24 fulfils the hot water demands even supplying several outlets. The Pure VED24 is controlled electronically.

Advantages of PURE VED:

- Quick, continuous hot water supply
- Time-proven European premium technology
- UV-resistant housing
- High-value, contemporary product design
- Low maintenance
- No waste pipes required
- Very affordable and low installation cost
- No standing heat loss from stored hotwater
- No hot water cupboard required