

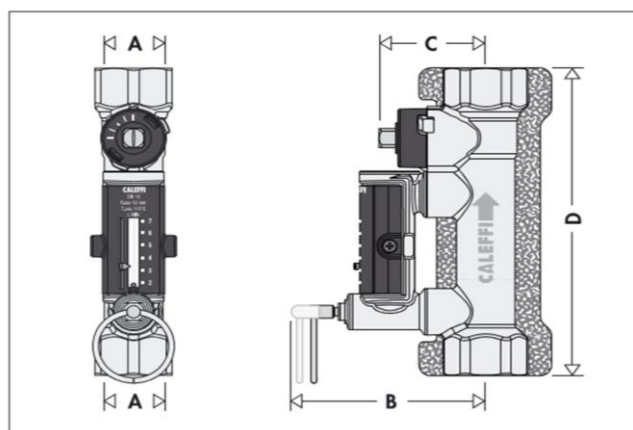
HS132802

Caleffi Balancing Valve and Flow Meter 40mm



## Technical Specification

Body: brass EN 12165 CW617N  
 Ball: brass EN 12164 CW614N  
 Ball control stem: brass EN 12164 CW614N, chrome plated  
 Ball seal seat: PTFE  
 Springs: stainless steel  
 Seals: EPDM  
 Medium: water, glycol solutions  
 Max. percentage of glycol: 50%  
 Max. working pressure: 10 bar  
 Working temperature range: -10–110°C  
 Flow rate range unit of measurement: 30-120 l/min  
 Accuracy: ±10%  
 Control stem angle of rotation: 90°  
 Operating wrench: 9 mm  
 Threaded connections 1 & 1/4" F  
 Material: closed cell expanded PE-X  
 Thickness: 10 mm  
 Thermal conductivity (DIN 52612): - at 0°C: 0,038 W/(m·K)



| Code   | A      | B  | C    | D   | Weight (kg) |
|--------|--------|----|------|-----|-------------|
| 132802 | 1 1/2" | 91 | 56,5 | 171 | 1,47        |

## Warranty

[Download the latest warranty statement](#)

## Features

The balancing valve is an hydraulic device that accurately regulates the flow rate of heating medium supplied to system terminals.

A correct balancing of hydraulic systems is essential to guarantee the system operation according to its design specifications, high thermal confort and low energy consumption.

This particular series of valves is equipped with a flow meter for a direct reading of the regulated flow rate. The flow meter, housed in a by-pass circuit on the valve body and that can be shut off during normal functioning, allows a fast and easy balancing of circuits without the need for differential pressure gauges or diagrams.

The balancing valve is equipped with a hot pre-formed shell insulation to ensure a perfect thermal performance in case of use both with hot and chilled water.