

Pioneer Shower Divert Mixer



FWPI10135BS

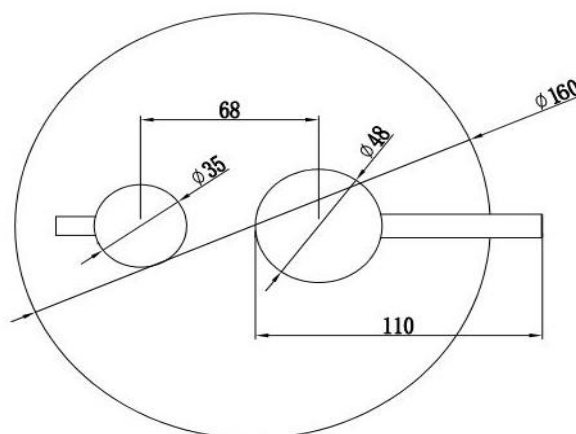
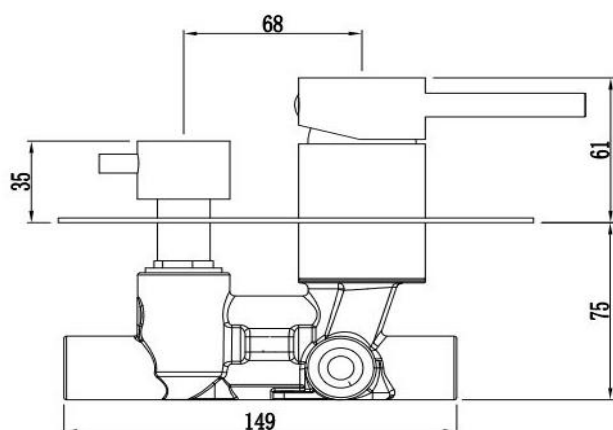
Pioneer Shower Divert Mixer Brushed Stainless

Lead free stainless steel shower divert mixer with a brushed stainless finish

160mm round faceplate

304 stainless steel construction

Recommended working pressure 200-500 kPa (balanced)



CARE AND USE

Tapware

All finishes are smooth, abrasion resistant, corrosion resistant, fade-proof and easy to clean. All finishes are super hard wearing surfaces that won't chip, peel or tarnish with normal use. All surfaces should be regularly wiped clean with non scouring, neutral wash solutions.

LIMITED PRODUCT WARRANTIES

To be read in conjunction with and subject to all terms and conditions contained in the Waterware 'Producer Statement' available on-line (<http://www.waterware.co.nz/media-downloads>) From date of purchase, Waterware Services warrants products from the following categories to be free from manufacturing defect subject to exclusions (if applicable):

Category	Domestic Installations	Commercial Installations	Exclusions	Wells
Tapware 10 year conditional warranty	5 years parts and labour, 6-10 years parts only	1 year parts and labour	Handshowers and Hoses	Not required