

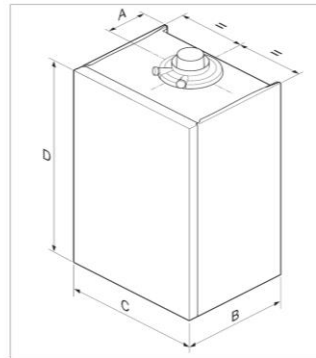
# GBVP15

Vaillant EcoTec Plus System Boiler 15kW



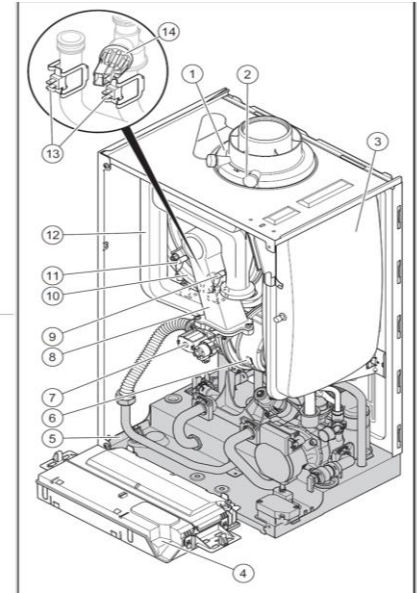
## Technical Specification

- Nominal G20 NG heat output range at 80°/60° (kW): 2.5 - 14.8
- Nominal G31 LPG heat output range at 80°/60° (kW): 4.8 - 14.8
- Max. flue gas temperature (°C): 85
- Electrical connection (V/Hz): 230/50
- Max. power consumption in heating/DHW mode (W): 82/89
- Flue Ø (mm): 60/100
- Expansion vessel capacity (L): 10
- Min. installation clearance top (mm): 165
- Min. installation clearance side (mm): 5
- Min. installation clearance bottom (mm): 180
- Dimensions (mm): 440w x 720h x 348d
- Mounting weight (kg): 34



Dimensions

	A	B	C	D
GBVP15	125 mm	348 mm	440 mm	720 mm
GBVP25	125 mm	348 mm	440 mm	720 mm



- |   |                                  |    |                        |
|---|----------------------------------|----|------------------------|
| 1 | Connection for the air/flue pipe | 8  | Compact thermal module |
| 2 | Flue gas analysis point          | 9  | Control electrode      |
| 3 | Expansion vessel                 | 10 | Heat exchanger         |
| 4 | Electronics box                  | 11 | Ignition electrode     |
| 5 | Hydraulic block                  | 12 | Air intake pipe        |
| 6 | Fan                              | 13 | Temperature sensor     |
| 7 | Gas valve assembly               | 14 | Water pressure sensor  |

## Application

The Vaillant EcoTec Plus System Boiler 15kW is used in heating systems to generate mechanical hot water and is installed mostly in plant rooms.

## Warranty

[Download the latest warranty statement](#)

## Features

Condensing boilers use advanced combustion technology which scavenges energy found in the flue gas that would otherwise be lost to the atmosphere resulting in increased running efficiencies. The Vaillant EcoTec Plus system boilers from Germany are a premium quality, high performance choice packed with features which result in the most reliable and lowest running cost boiler available today.

- Exceptional German build quality
- Whisper quiet
- Weather compensating capability
- High efficiency pump and fan
- Wide operating range
- Extremely low stand-by losses (<2W)