

Tussock Concrete Basin With Tap Hole



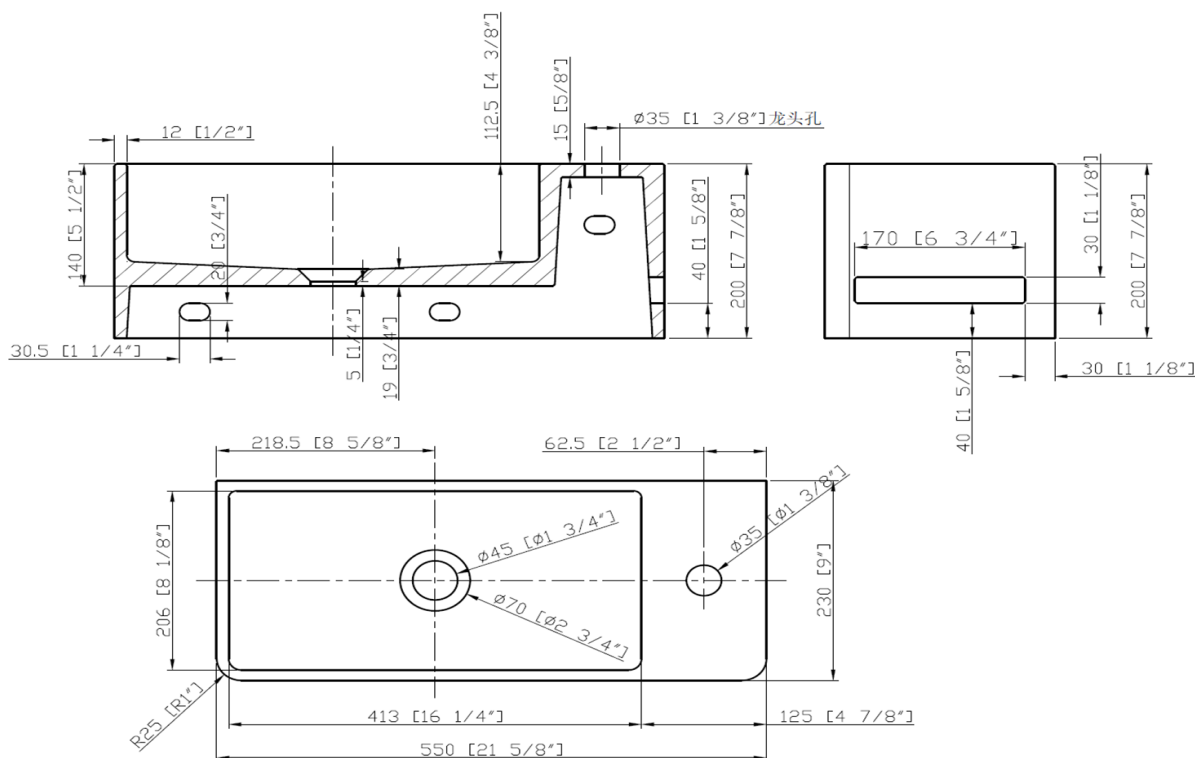
QUTU13ABW

Tussock Concrete Basin 550 x 230mm Blue Water



Blue water coloured finish
550mm x 230mm x 200mm
Weight – 17.1kg

Quarry basins are available drilled for a deck mounted tap or undrilled for use with wall mounted tapware
Each basin is supplied with pop up waste with concrete dome to give a seamless look



CARE AND USE

Quarry Concrete Basins

It is best practice to avoid the use of abrasive cleaners, soaps or harsh scrubbers that could potentially wear down the sealer. We recommend using mild, nonabrasive, non-ammonia, non-acidic cleaners. General cleaning is best done using a soft cloth and a mild soap of neutral pH. It is recommended to apply a wax to maintain the concrete sink every 6 months, especially in areas that are prone to limescale.

LIMITED PRODUCT WARRANTIES

To be read in conjunction with and subject to all terms and conditions contained in the Waterware 'Producer Statement' available on-line (<http://www.waterware.co.nz/media-downloads>) From date of purchase, Waterware Services warrants products from the following categories to be free from manufacturing defect subject to exclusions (if applicable):

Category	Domestic Installations	Commercial Installations	Exclusions	Wels
Basins	5 years parts and labour	1 years parts and labour	None	Not required