

Kinetic Pnuematic Care Face Plate



KI5220BN

Kinetic Pnuematic Care Standard Button Face Plate

Brushed Nickel

Kinetic ASA pnuematic faceplate with standard buttons in a brushed nickel finish

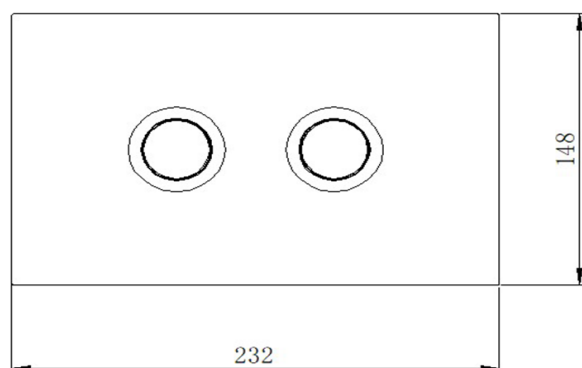
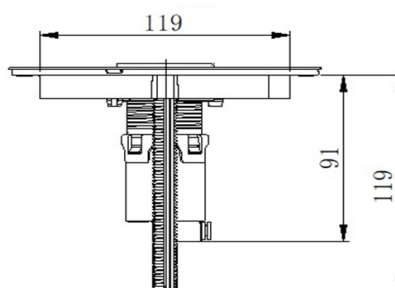
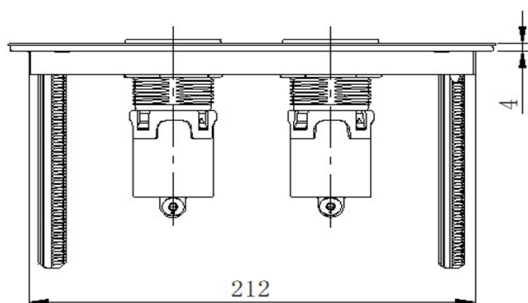
232mm x 148mm x 4mm

To be installed with Kinetic in wall cisterns

Designed with Pnuematic flushing mechanism

Fully serviceable via faceplate access

Recommended operating pressure 350-500kPa



CARE AND USE

Bathroom Accessories

All finishes are smooth, abrasion resistant, corrosion resistant, fade-proof and easy to clean. All finishes are super hard wearing surfaces that won't chip, peel or tarnish with normal use. All surfaces should be regularly wiped clean with non scouring, neutral wash solutions.

LIMITED PRODUCT WARRANTIES

To be read in conjunction with and subject to all terms and conditions contained in the Waterware 'Producer Statement' available on-line (<http://www.waterware.co.nz/media-downloads>) From date of purchase, Waterware Services warrants products from the following categories to be free from manufacturing defect subject to exclusions (if applicable):

Category	Domestic Installations	Commercial Installations	Exclusions	Wels
Toilets and cisterns	5 years parts and labour, 6 - 10 years parts only	1 year parts and labour	Flush Valve seals	4 Star 3/4.5L litre flush