

# HPV16

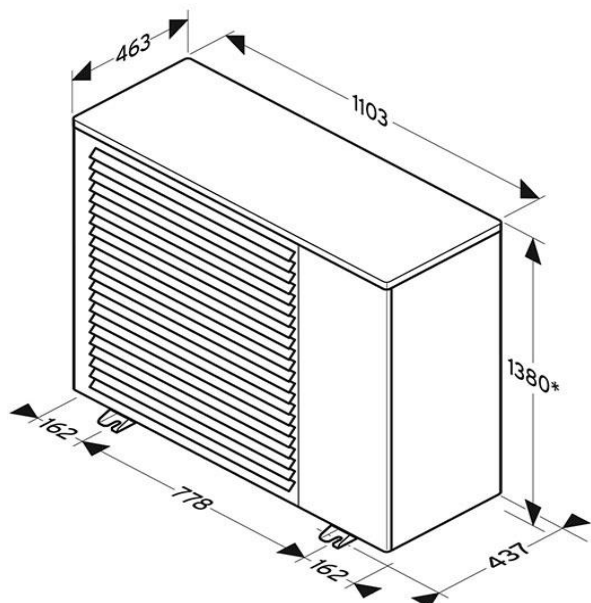
Vaillant aroTHERM Plus Heat Pump 16kW



## Technical Specification

Width 1103mm, Height 1380mm, Depth 463mm  
 Dry weight: 165kg  
 Heating water temp min/max: 20 to 75°C  
 Refrigerant: type R290

Nominal heat output: 14.6kW (A7/W35)  
 Power supply: 230V/1Ph/50Hz  
 Sound power (40/45°C / 7°C D.B): 66 dB(A)



(\* plus 45mm when using the vibration dampers supplied)

## Application

The Vaillant aroTHERM Plus Heat Pump 16kW is used in heating & cooling systems to generate hot and cold water using electricity and is installed mostly outside the plant room.

## Warranty

[Download the latest warranty statement](#)

## Features

Ultra high efficiency air to water heat pump  
 For underfloor heating, cooling and or indirect domestic hot water.

- Floor standing, outdoor
- Made in Germany
- Guarantee: 5 years parts and labour
- Note: To be installed in conjunction with the HPVMEH