

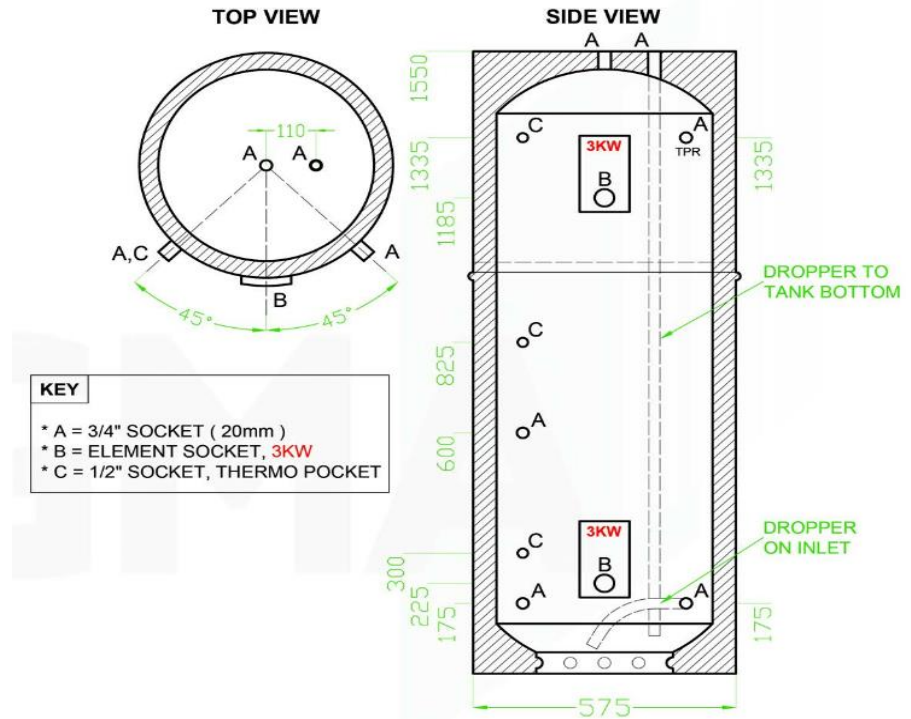
PT250ISIG

250L Protank Indirect Hot Water Cylinder Single Coil



Technical Specification

- Pressure Ratings
- TPR Setting 700 kPa
- Cold water expansion setting 600 kPa
- Maximum supply setting 500 kPa
- Factory supply set point 300 kPa



Application

The 250L Protank Indirect Hot Water Cylinder Single Coil is used in heating systems to generate hot water for potable applications using an external heat source and is installed mostly in hot water cylinder cupboards.

Warranty

[Download the latest warranty statement](#)

Features

This 250 liter Protank indirect hot water cylinders is designed for a high capacity, mains pressure, domestic hot water system using an indirect heat source such as a gas, diesel or wood fired boilers and or solar energy. Protanks internal tank and fittings are crafted from the highest possible spec. Duplex 2304 stainless steel and includes a performance matched Caleffi's high flow valve set.

- 1 x 22kW heat exchange coil
- 50mm foam layer enclosed in a plasticised grey Zincalume case
- 3kW side entry electric back up element
- Thermostat and boiler control thermostat

Made in New Zealand