

AVD546106

Caleffi 25mm Magnetic Deaerator-Dirt Separator
10Bar 110°C



Technical Specification

Materials:

Body: brass EN 12165 CW617N

Dirt separation chamber: brass EN 12165 CW617N

Automatic air vent body: brass EN 12165 CW617N

Internal element: PA66G30

Float: PP

Float guide and stem: brass EN 12164 CW614N

Float lever and spring: stainless steel

Hydraulic seals: EPDM

Drain cock: brass EN 12165 CW617N

Performance:

Medium: water, non-hazardous glycol solutions

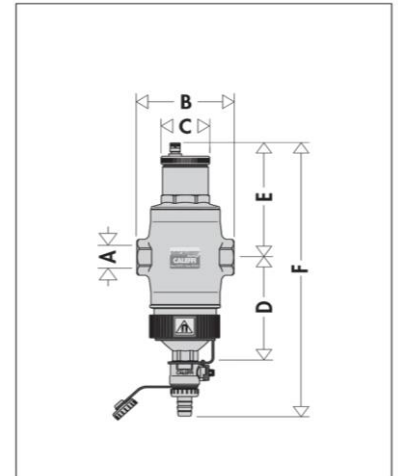
Max. percentage of glycol: 50%

Max. working pressure: 10bar

Working temperature range: 0–110°C

Particle separation rating: up to 5 µm

Ring system magnetic induction: 2 x 0,3 T



Code	Size	A	B	C	D	E	F	Mass (kg)
546105	DN20	3/4"	108	55	128	141	336	2,9
546106	DN25	1"	108	55	128	141	336	2,9
546107	DN32	1 1/4"	116	55	128	141	336	2,9

Application

The Caleffi 25mm Magnetic Deaerator-Dirt Separator 10Bar 110°C is used in heating & cooling systems to eliminate circulating air and is installed mostly in plant rooms.

Warranty

[Download the latest warranty statement](#)

Features

Deaerators-dirt separators are used to continuously eliminate the air and dirt contained in the hydraulic circuits of heating and cooling systems. They are capable of automatically removing all the air from the system down to the micro-bubble level. At the same time they separate dirt and impurities contained in the water within the circuit and collect them in the lower part of the valve body, from which they may be expelled. The magnet separates ferrous impurities.

The circulation of fully deaerated water enables the equipment to operate under optimum conditions, free from any noise, corrosion, localised overheating or mechanical damage.