

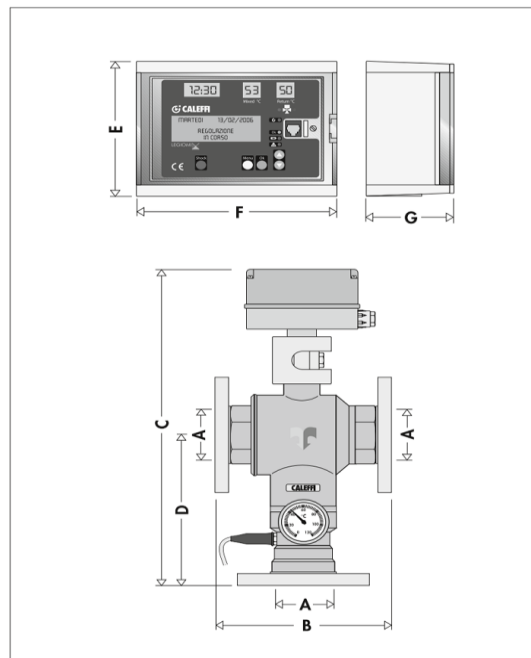
TV600016FL

Caleffi 6000 65mm Legiomix



Technical Specification

- Valve body materials: brass EN 12165 CW724R
- Ball: stainless steel AISI 316
- Maximum working pressure (static): 10bar
- Maximum inlet temperature: 100°C
- Actuator: Electric supply: 24V - 50/60 Hz directly from the regulator
- Power consumption: 6.5 VA
- Protection cover: self-extinguishing V0
- Protection class: IP 65
- Housing: self-extinguishing
- ABS Electric supply: 24V (ac) 50/60 Hz
- Power consumption: 6.5 VA
- Max. inlet temperature 100°C
- Adjustment temperature range: 20–85°C
- Disinfection temperature range: 40–85°C
- Ambient temperature range: 0–50°C
- Protection class: IP 54 (Class II appliance)



Code	A	B	C	D	E	F	G	Mass (kg)
600016	DN 65	235	600	275	145	180	105	28
600018	DN 80	235	600	275	145	180	105	30,4



Application

The Caleffi 6000 65mm Legiomix is used in plumbing systems to control water temperature and is installed mostly in plant rooms.

Warranty

[Download the latest warranty statement](#)

Features

- Electronic 6000 thermostatic tempering valve with 65mm flanged connection PN16, can be coupled with counterflange EN1092-1
- Fitted for connection for remote control with specific MODBUS transmission protocols, for use in Building Management Systems (BMS).
- For use on high demand centralised hot water systems with a flow rate between 66 and 1833L/min
- Temperature range adjustable 20-85°C
- Temperature control +/- 2°C
- Thermostatic Disinfection Programming
- Body in low lead brass (EN 12165 CW724R)
- 24V 6A
- Transformer included

Note: These valves are sized by flow rate, not by pipe size. Please speak to our technical team if you need further assistance.