

WMHD20

BMETERS 20mm Hydrodigit Wireless Remote Meter



Technical Specification

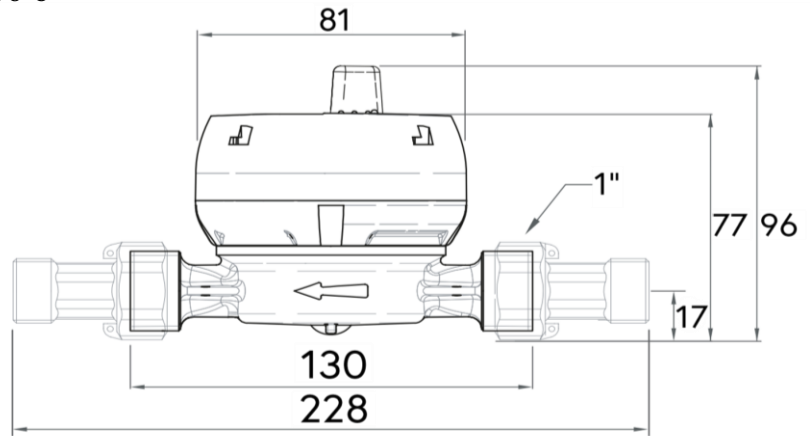
Below specifications emasured at R250↑:

- Overload flow rate: 5m³/h
- Permanent flow rate Q3: 4m³/h
- Transitional flow rate (Q2): 25.6l/h
- Min flow rate (Q1): 16l/h
- Max reading: 99.999m³
- Max admissible pressure MAP: 16bar

At R160V↓H→

- Transitional flow rate (Q2): 40l/h
- Min flow rate (Q1): 25l/h

868MHz transmission frequency @ 16dBm
 Suitable for hot and cold water from 0.1-90°C



Application

The BMETERS 20mm Hydrodigit Wireless Remote Meter is used in plumbing systems to measure water quantity and is installed mostly in plant rooms.

Warranty

[Download the latest warranty statement](#)

Features

- 20mm single jet water meter with digital 8 digit LCD display
- LoRaWAN integrated data transmission for fully remote wireless IOT capability
- Turbine reading through inductive system
- IP68 water resistance rating
- Archived historical consumptions
- Alarms (reverse flow, leaks, etc)
- Impossible to fraud magnetically
- Brass body
- 360° rotating dial
- Complete with 20mm connection tails
- Max battery life approximately 10 years