

## Civic Hidden Extractable Kitchen Mixer



TUNE

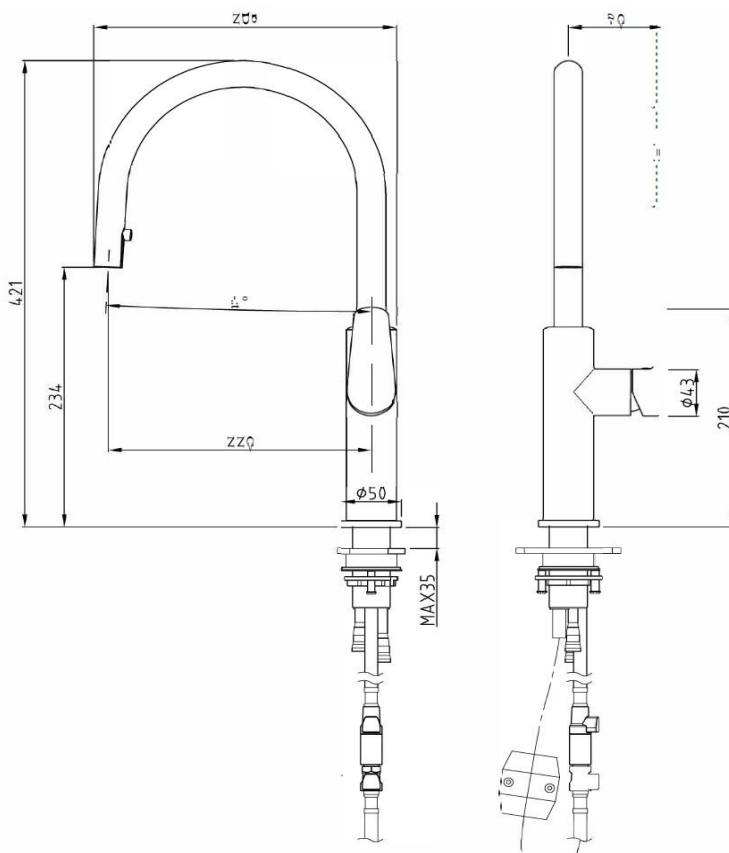
**FWK20120ZBG**

Civic Extractable Kitchen Mixer Brushed Gold

Lead free stainless steel hidden extractable kitchen mixer in a brushed gold finish

304 stainless construction

421mm overall height x 220mm reach

**CARE AND USE****Tapware**

All finishes are smooth, abrasion resistant, corrosion resistant, fade-proof and easy to clean. All finishes are super hard wearing surfaces that won't chip, peel or tarnish with normal use. All surfaces should be regularly wiped clean with non scouring, neutral wash solutions.

**LIMITED PRODUCT WARRANTIES**

To be read in conjunction with and subject to all terms and conditions contained in the Waterware 'Producer Statement' available on-line (<http://www.waterware.co.nz/media-downloads>) From date of purchase, Waterware Services warrants products from the following categories to be free from manufacturing defect subject to exclusions (if applicable):

[Download the latest warranty statement](#)